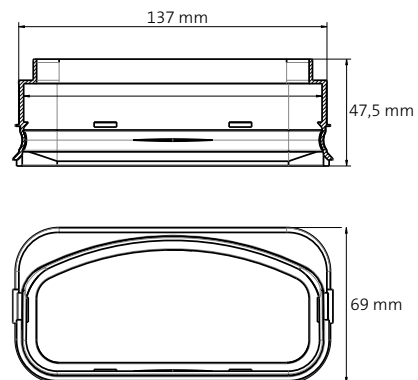
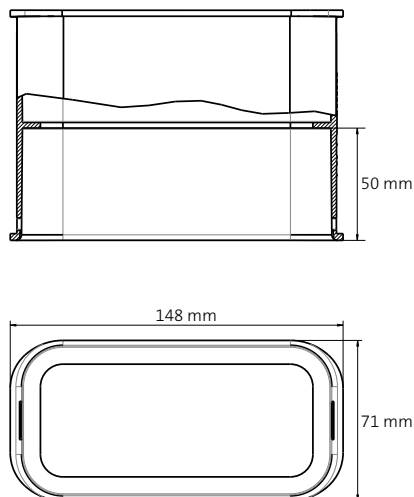


### Features & benefits

- For connecting straight pieces of ductwork
- For installation in ceilings and walls
- For semi-circular ductwork AE55SC (60x132 mm)
- Easy to mount with the seal-ring
- Anti-static and anti-bacterial properties
- Part of the TÜV SÜD certified Air Excellent system



### Airtight seal-ring

The seal-ring for the semi-circular ductwork is a vital component of the Air Excellent system and fixes the mechanical connections between the duct, accessories and the distribution boxes. The seal-ring is flexible by the use of both PP and TPE materials and ensures easy fitting and guaranteed airtight connections.



### Mounting brackets

Mounting brackets ensure a steady installation of the duct. It is advised to use one bracket per 2 meters of duct run. Multiple brackets can be connected with each other enabling compact installations with parallel duct runs.

